

LONKING



**8.5-10t
E Series Counterbalance
Electric Forklift Truck**

More reliable

Long wheelbase design, the vehicle's longitudinal stability is stronger, the maximum lifting height and maximum inclination of the mast are significantly improved, and the overload capacity is strong.

The instrument has rich functions and can display power and fault codes to facilitate quick and accurate troubleshooting.

More efficient

The full AC controller, motor, and reduction box cooperate with the wheel reducer to achieve a large speed ratio, high efficiency in walking and lifting operations, and excellent climbing performance.

Double gun charging is optional to meet various charging needs and improve charging efficiency.

More comfortable

Using the latest electro-hydraulic lifting control system, it is easier to control the speed of lifting and lowering.

Safer

The electrical system has protection functions such as insulation detection, overvoltage, overcurrent, and overtemperature, making safety more secure.

Maintenance

The commonality with the supporting parts of the diesel forklift of the same tonnage is over 95%, and subsequent maintenance is convenient.



Product details and advantages



Mode adjustment button, speed can be quickly switched.



The waterproof level of all vehicle parts reaches IP65.



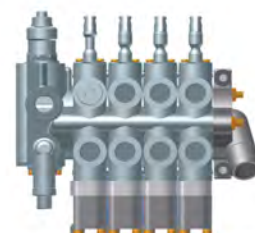
The battery operation cycle time is extended by 15%



LED lights throughout the car are brighter.



The electrical system adopts new energy vehicle-grade high-voltage technology.



Adopt the latest electro-hydraulic lifting control system

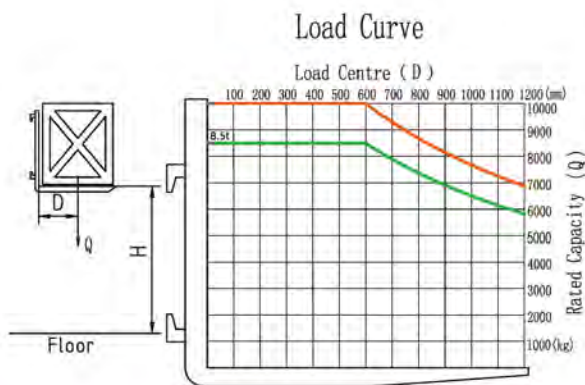
| Character | | | | | |
|-------------------------------|---|-------|------|-----------------|-------------|
| 1.01 | Manufacturer | | | LONKING | |
| 1.02 | Model | | | CPD85E | CPD100E |
| 1.03 | Power type | | | Electrical (AC) | |
| 1.04 | Rated capacity | Q | kg | 8500 | 10000 |
| 1.05 | Load center | J | mm | 600 | |
| Dimensions | | | | | |
| 2.01 | Max. height (with backrest) | H2 | mm | 4246 | 4400 |
| 2.02 | STD Max lifing height | H | mm | 3000 | 3000 |
| 2.03 | Overhead guard height | H4 | mm | 2560 | 2560 |
| 2.04 | Overall length (with fork) | L | mm | 5465 | 5780 |
| 2.05 | Wheelbase | L1 | mm | 2500 | 2800 |
| 2.06 | Front overhang | L2 | mm | 705 | 720 |
| 2.07 | Rear overhang | L3 | mm | 740 | 740 |
| 2.08 | Min ground clearance (Chassis/Mast) | m1/m2 | mm | 300/245 | 300/245 |
| 2.09 | Overall width (outside) | W1 | mm | 2165 | 2165 |
| 2.10 | Fork adjustment range | | mm | 420-1950 | 450-2090 |
| 2.11 | Fork size(STD) | | mm | 1520×170×70 | 1520×175×85 |
| 2.12 | Front wheel tread | S | mm | 1600 | 1600 |
| 2.13 | Rear wheel tread | P | mm | 1700 | 1700 |
| 2.14 | Min tuming radius(outside) | | mm | 3650 | 3900 |
| 2.15 | Min aisle width for pallet 1000x1200,crossways | Ast | mm | 6075 | 6340 |
| 2.16 | Min aisle width for pallet 800x1200,lengthways | Ast | mm | 6075 | 6340 |
| Tyres | | | | | |
| 3.01 | Capital W (F/R, X=Driven wheels) | | | X=4/2 | |
| 3.02 | Tyres type (F/R) | | | Pneumatic | |
| 3.03 | Tyres size,front | | | 9.00-20-14PR | |
| 3.04 | Tyres size,rear | | | 9.00-20-14PR | |
| Performance and other details | | | | | |
| 4.01 | Max. travelling speed,loaded/unloaded | | km/h | 13/15 | 13/15 |
| 4.02 | Lifting speed, loaded/unloaded | | mm/s | 340/400 | 280/300 |
| 4.03 | Lowering speed,loaded/unloaded | | mm/s | 420/410 | 310/300 |
| 4.04 | MAX. gradeability,loaded/unloaded | | % | 15/15 | 15/15 |
| 4.05 | Service weight(with oil & water) | | kg | 12400 | 13300 |
| 4.06 | Axle load, F/R(loaded) | | kg | 18360/2040 | 20970/2330 |
| 4.07 | Axle load, F/R(unloaded) | | kg | 5580/6820 | 6000/7300 |
| 4.08 | Drive motor | | kw | 35 | |
| 4.09 | Lift motor | | kw | 26+26 | |
| 4.10 | Controller | | | inmotion | |
| 4.11 | battery(voltage/capacity) | | V/Ah | 96/920 | |

| Mast Type | Mast Model | H2 Max Lifting Height (mm) | Load Capacity (j=600mm) (kg) | | H1 Lowered Mast Height(mm) | | H3 Free Lifting Height (mm) | | Mast Tilting Angle (°)α/β | | |
|--|------------|----------------------------|------------------------------|--------|----------------------------|--------|-----------------------------|--------|---------------------------|--------|-----|
| | | | CPD85 | CPD100 | CPD85 | CPD100 | CPD85 | CPD100 | CPD85 | CPD100 | |
| 2 Stage Standard Mast-Super Wide Field | M230 | 2300 | / | 10000 | / | 2495 | 200 | 215 | / | 10/12 | |
| | M250 | 2500 | 8500 | / | 2445 | / | | | 10000 | 10/12 | / |
| | M270 | 2700 | | 2545 | 2695 | | | | | | |
| | M300 | 3000 | | 2695 | 2845 | | | | | | |
| | M330 | 3300 | | 2845 | 2995 | | | | | | |
| | M350 | 3500 | | 2945 | 3095 | | | | | | |
| | M375 | 3750 | | 3070 | 3220 | | | | | | |
| | M400 | 4000 | | 3245 | 3395 | | | | | | |
| | M425 | 4250 | | 3370 | 3520 | | | | | | |
| | M450 | 4500 | | 3495 | 3645 | | | | | | |
| | M475 | 4750 | | 8200 | 3620 | 3770 | | | | | 6/6 |
| | M500 | 5000 | 8200 | 3745 | 3895 | | | | | | |
| | M550 | 5500 | 7850 | 9000 | 4045 | 4195 | | | | | |
| M600 | 6000 | 7400 | 8000 | 4295 | 4445 | | | | | | |
| 2 Stage Free Mast | ZM200 | 2000 | 8500 | 10000 | 2345 | 980 | 995 | 10/12 | 10/12 | | |
| | ZM225 | 2250 | | | 2470 | 1105 | 1120 | | | | |
| | ZM250 | 2500 | | | 2595 | 1230 | 1245 | | | | |
| | ZM270 | 2700 | | | 2695 | 1330 | 1345 | | | | |
| | ZM300 | 3000 | | | 2845 | 1480 | 1495 | | | | |
| | ZM330 | 3300 | | | 2995 | 1630 | 1645 | | | | |
| | ZM350 | 3500 | | | 3095 | 1730 | 1745 | | | | |
| | ZM370 | 3700 | | | 3195 | 1830 | 1845 | | | | |
| | ZM400 | 4000 | | | 3395 | 2030 | 2045 | | | | |
| | ZM425 | 4250 | | | 3520 | 2155 | 2170 | | | 6/6 | 6/6 |
| | ZM450 | 4500 | | | 3645 | 2280 | 2295 | | | | |
| 3 Stage Free Mast | ZSM360 | 3600 | 7500 | 8000 | 2545 | 1180 | 1195 | 10/12 | 10/12 | | |
| | ZSM400 | 4000 | | | 2675 | 1310 | 1325 | | | | |
| | ZSM435 | 4350 | | | 2795 | 1430 | 1445 | | | | |
| | ZSM450 | 4500 | | | 2845 | 1480 | 1495 | | | | |
| | ZSM480 | 4800 | 7500 | 2945 | 1580 | 1595 | 6/6 | 6/6 | | | |
| | ZSM500 | 5000 | 7500 | 3010 | 1645 | 1660 | | | | | |
| | ZSM540 | 5400 | 7000 | 7000 | 3200 | 1835 | | | 1850 | | |
| | ZSM600 | 6000 | 6000 | 6400 | 3400 | 2035 | | | 2050 | | |
| | ZSM630 | 6300 | 5800 | 5800 | 3500 | 2135 | | | 2150 | | |
| | ZSM650 | 6500 | 5500 | 5800 | 3565 | 2200 | | | 2215 | | |

Note: Load capacity is reduced 500kg with optional side shifter for 8.5-10t forklift.

| | | | | | |
|---------------|-------------------------------|--|--------------------------------|-------------------------------|---------------------------------|
| Configuration | Multi Function Display | Driving/lifting/steering Computer Controlled | Pedal Rubber | Lithium Battery | Emergency Stop Switch |
| | Full Set of LED Lights | Reversing Buzzer | Safety seat | Full-hydraulic Power Steering | Wide view mast |
| | Low Resistance Tyres | Four-piece Multiplex Valve | High Efficiency AC Drive Motor | Gear Pump with Low Noise | Energy Efficient Dynamic Signal |
| | Load Sensing Hydraulic System | Roof Weather Canopy | Charging Indicator | Electric Horn | Backup Mirror |
| | Traction Pin | Tool Box | Standard Forks | Lift, Tilt, Levers | |
| Optional | Cabin | Cold A/C | Heater | Suspension Seat | Lifting Potentiometer |
| | Battery Charger | Lithium Battery | Rotating Buzzer Warning Light | Rear Working Light | Warning Light |
| | Solid Tyres | Non Marking Tyres | Large Capacity Battery | Tailored backrest | Widen Fork Carriage |
| | Protective Net | Electric Fan | Reversing Handrail Horn | Corner Positioner | Reversing Radar |
| | Fork Extensions | Tilt cylinder protection | Steering cylinder protection | Custom Colours | Multiple Hydraulic Attachments |
| | Reversing Voice Horn | | | | |

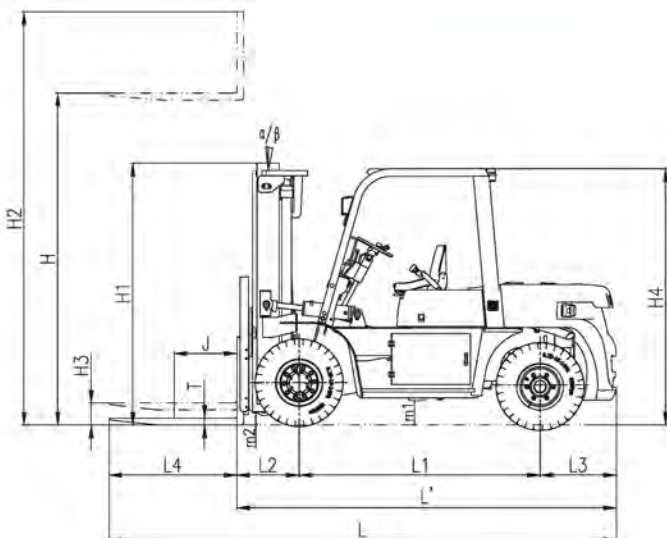
Load Curve



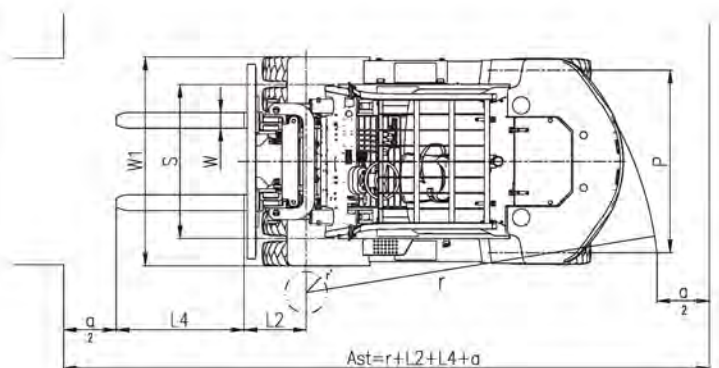
- 10t
- 8.5t

Note: The vertical axis represents the rated lifting weight, and the horizontal axis represents the load center distance. The load center is calculated from the front of the fork, and the base point of the standard load refers to the center position of a cube with a load side length of 1000 mm. When the mast is tilted forward, non-standard forks are used, or loads exceeding the normal width are loaded, the load capacity will be reduced. Through the load curve chart, the carrying capacity of various load centers can be understood in time.

Structure Diagram



Ast : Right Angle Stacking Aisle Width
a : Clearance





LONKING



LONKING HOLDINGS LIMITED

LONKING (SHANGHAI) FORKLIFT SALES CO.,LTD.

Add:196,Xinrun Road,Xinqiao,Songjiang Industrial,Zone Shanghai
Sales Hot-line:+86-21-37602160 sales hotline:+86-400-021-6969
Fax:+86-21-61303339-8195 E-mail:ccfw@lonking.cn
<http://www.lonking.cc> P.C:201612



OHSAS45001:2023



ISO14001:2015



ISO9001:2015



CE CERTIFICATE



UKCA CERTIFICATE

